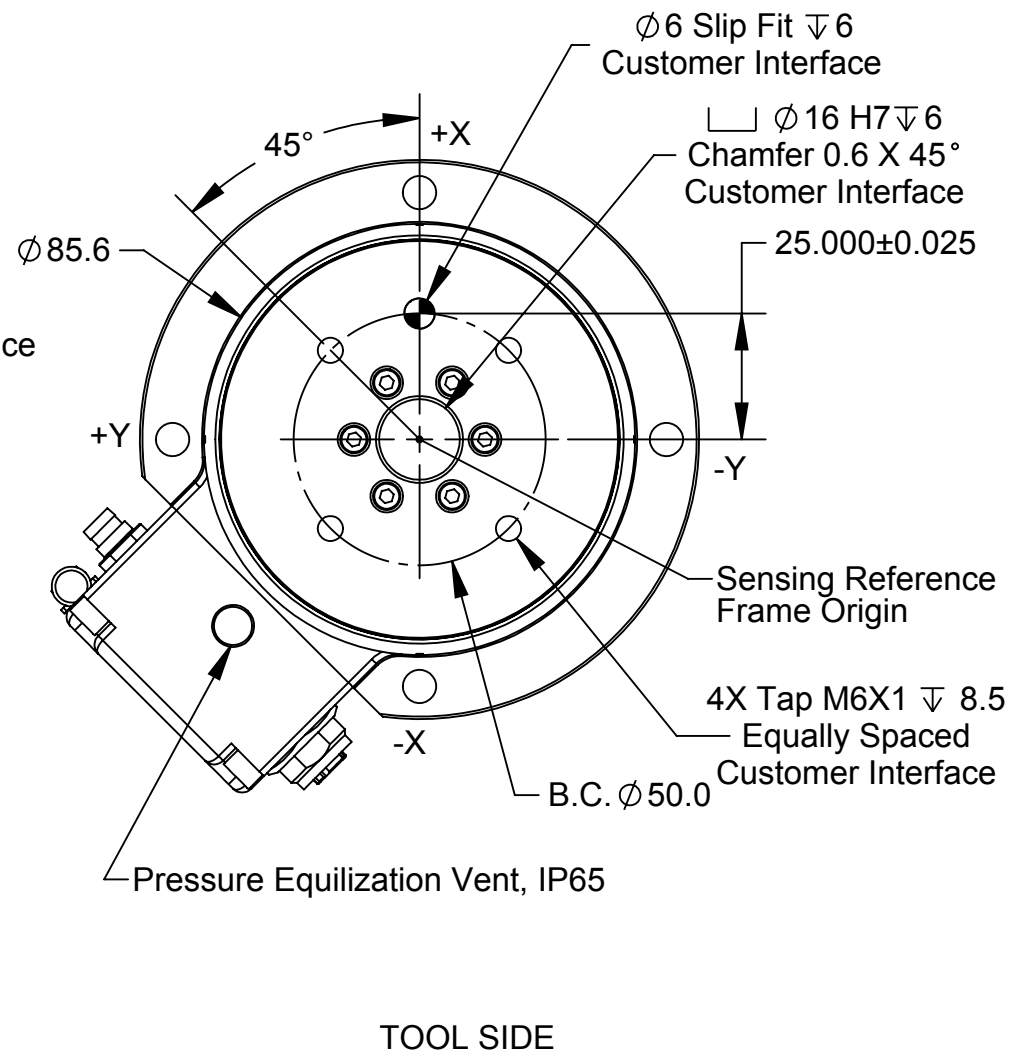
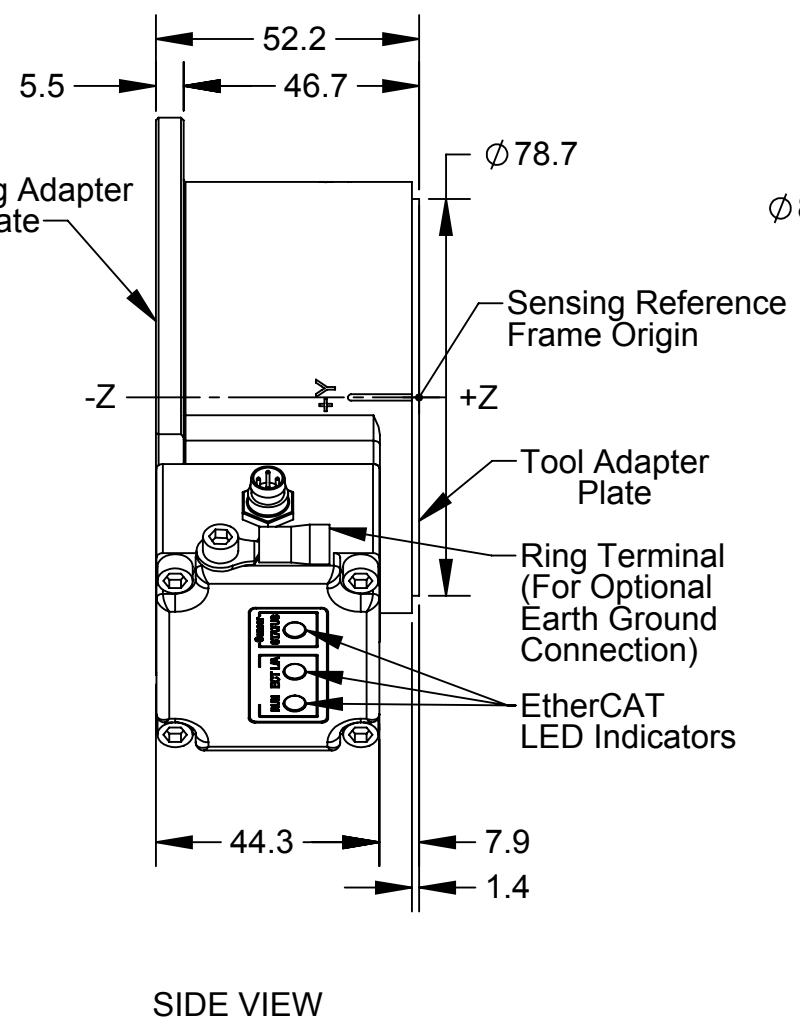
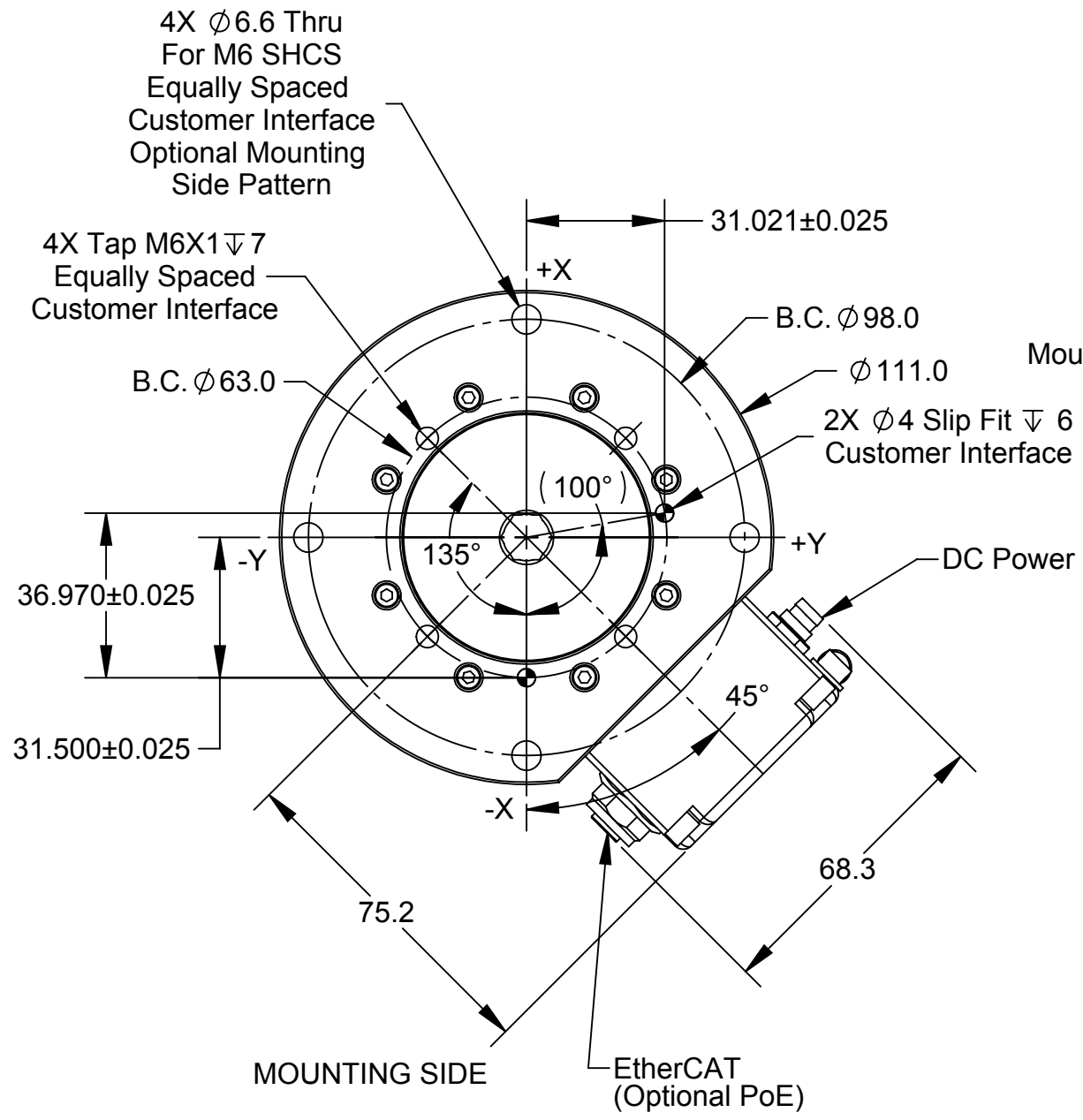


Rev.	Description	Initiator	Date
01	Initial Release	RTD	11/23/2016



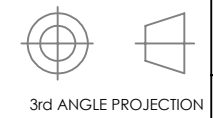
- Notes:
1. Material: Aluminum and Stainless Steel
  2. Sensing Reference Frame Origin at surface center of Tool Adapter.
  3. Do not disassemble transducer. Doing so could damage transducer and will void warranty.
  4. For best accuracy, transducer must be mounted to a surface rigid enough to support loads without deflection.
  5. Cables must be connected to transducer to maintain proper seal.
  6. Cables are IP65 rated only at transducer end.

NOTES: UNLESS OTHERWISE SPECIFIED.  
DO NOT SCALE DRAWING. ALL DIMENSIONS ARE IN MILLIMETERS.



1031 Goodworth Drive, Apex, NC 27539, USA  
Tel: +1.919.772.0115 Email: info@ati-ia.com  
Fax: +1.919.772.8259 www.ati-ia.com  
ISO 9001 Registered Company

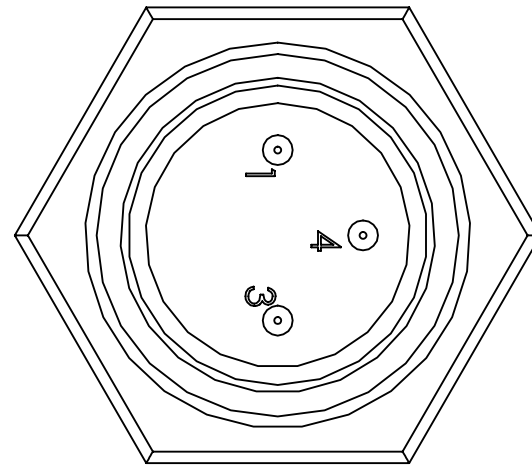
PROPERTY OF ATI INDUSTRIAL AUTOMATION, INC. NOT TO BE REPRODUCED IN ANY MANNER EXCEPT ON ORDER OR WITH PRIOR WRITTEN AUTHORIZATION OF ATI.



DRAWN BY: R.Dupree 11/21/16		TITLE	
CHECKED BY: A.Glusiec 11/22/16		IP65 Gamma Transducer with EtherCAT Electronics	
PROJECT # 160919-1	SHEET 1 OF 2	SCALE 1:2	SIZE B
		DRAWING NUMBER 9230-05-1508	REVISION 01

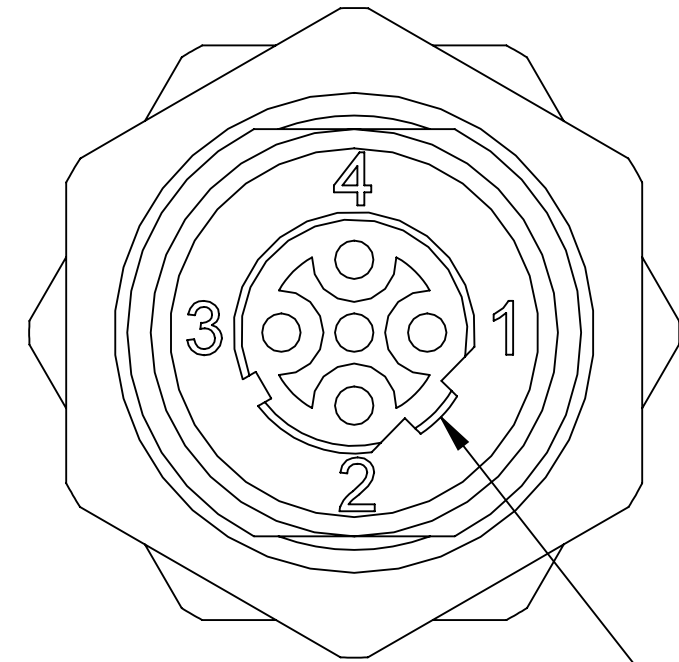
Rev.	Description	Initiator	Date
-	See Sheet1	-	-

Pin No.	Signal
1	V+
3	GND
4	N/C



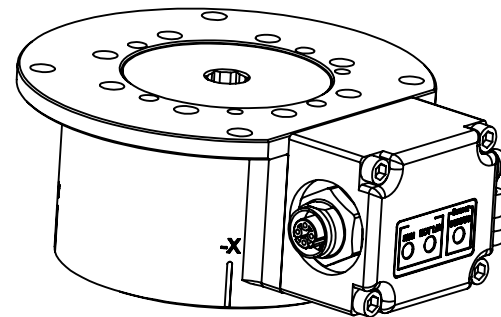
DC Power Connector  
3-Pin Male M8

Pin No.	Signal
1	TX+
2	RX+
3	TX-
4	RX-
Shell	Connector Block Housing



EtherCAT Connector  
4-Pin Female M12 D-Coded

D-Coded



ISOMETRIC VIEW

NOTES: UNLESS OTHERWISE SPECIFIED.

DO NOT SCALE DRAWING.  
ALL DIMENSIONS ARE IN  
MILLIMETERS.



3rd ANGLE PROJECTION



1031 Goodworth Drive, Apex, NC 27539, USA  
Tel: +1.919.772.0115 Email: info@ati-ia.com  
Fax: +1.919.772.8259 www.ati-ia.com  
ISO 9001 Registered Company

PROPERTY OF ATI INDUSTRIAL AUTOMATION, INC. NOT TO BE REPRODUCED IN ANY MANNER EXCEPT ON ORDER OR WITH PRIOR WRITTEN AUTHORIZATION OF ATI.

DRAWN BY: R.Dupree 11/21/16		TITLE	
CHECKED BY: A.Glusiec 11/22/16		IP65 Gamma Transducer with EtherCAT Electronics	
PROJECT #	160919-1	SHEET	2 OF 2
SCALE	1:2	SIZE	B
DRAWING NUMBER	9230-05-1508	REVISION	01