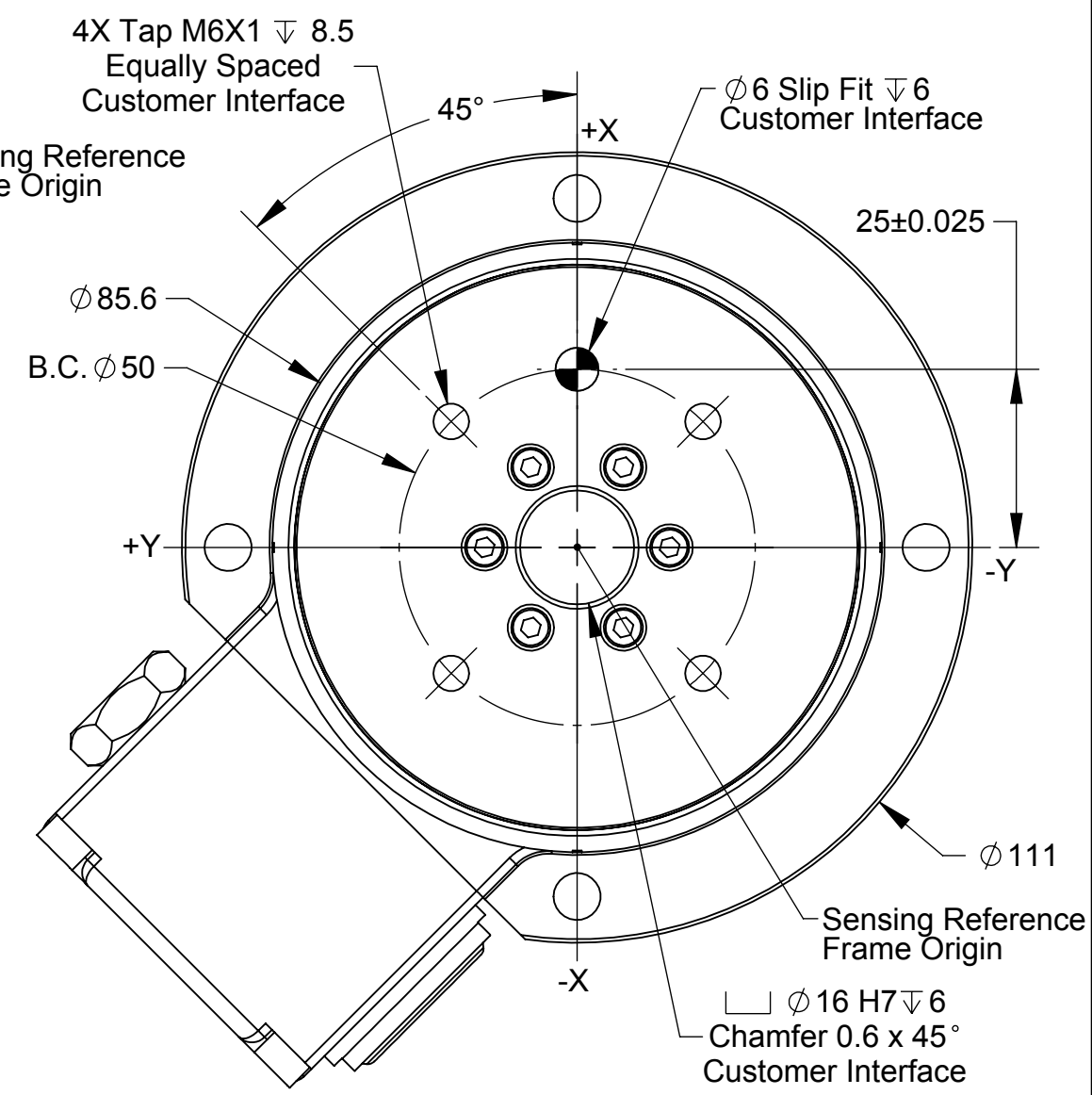
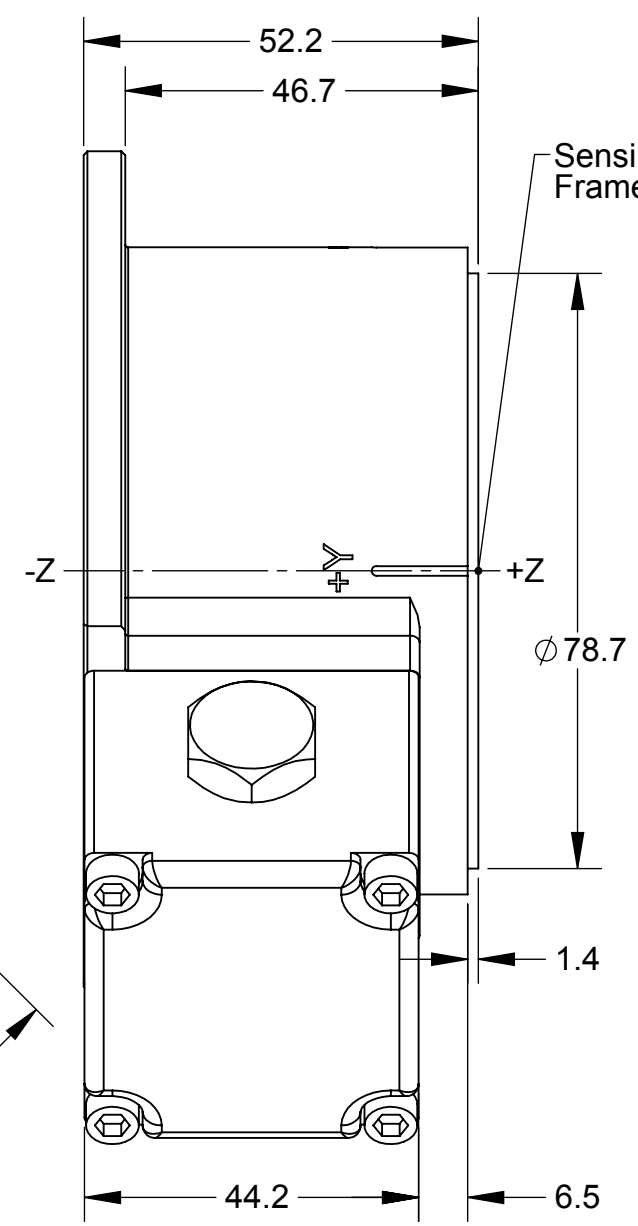
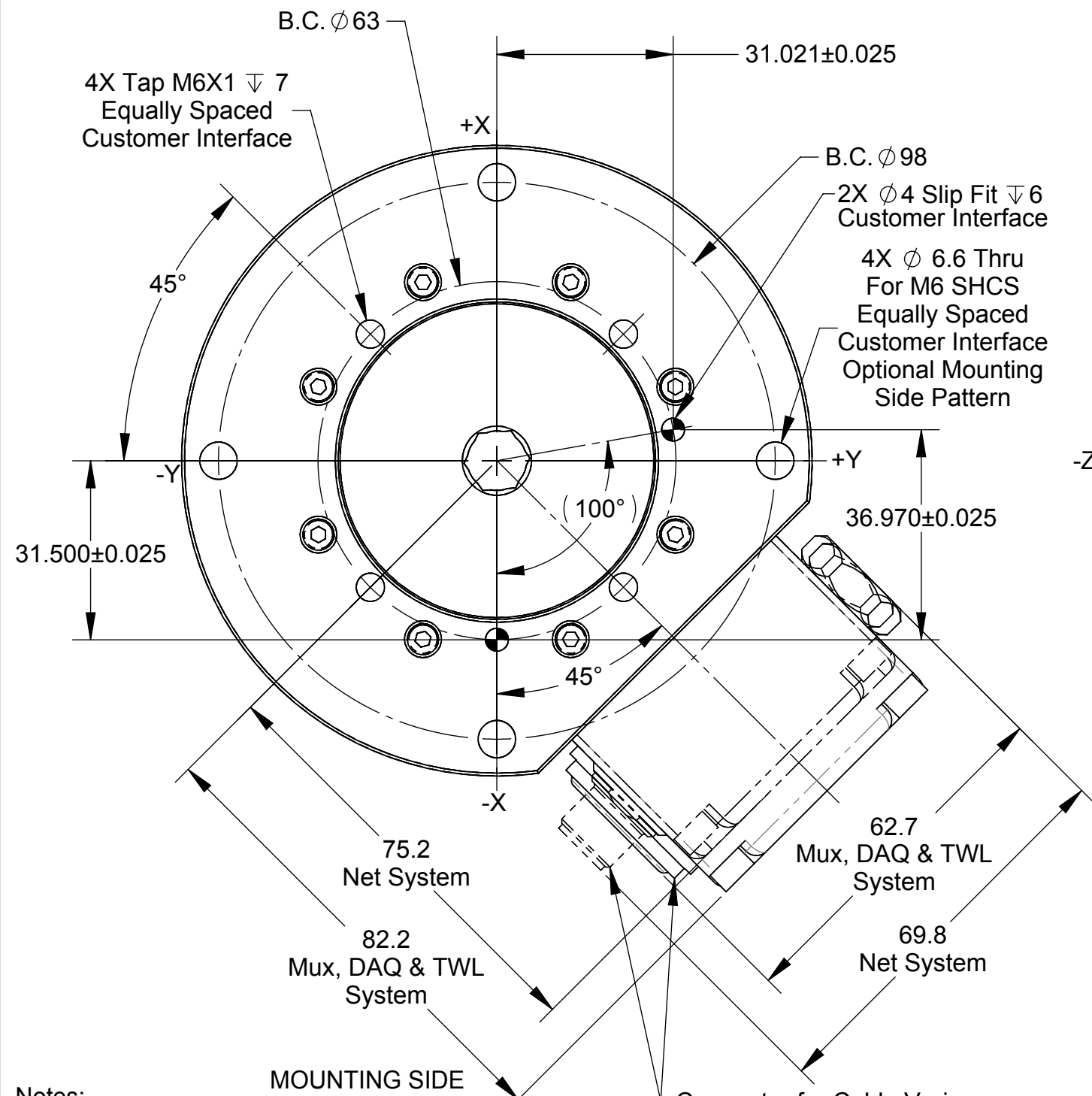
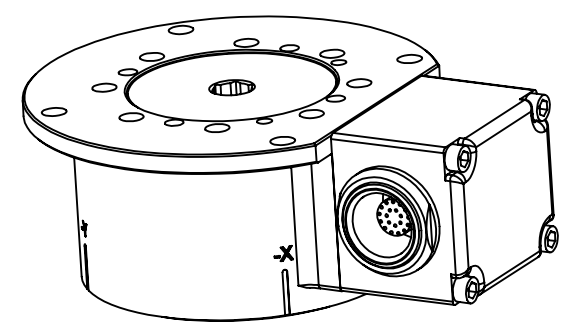


Rev.	Description	Initiator	Date
01	Initial Drawing	JW	9/29/2011
02	Eco 16104; Added TWL dimensions	RTD	9/18/2017



Notes:

1. Material: Stainless Steel
2. Sensing Reference Frame Origin at surface center of Tool Adapter.
3. Do not disassemble transducer. Doing so could damage transducer and will void warranty.
4. For best accuracy, transducer must be mounted to surfaces rigid enough to support loads without deflection.
5. Cable must be connected to Transducer to maintain proper seal.
6. Cable is only IP68 rated only at Transducer End. Transducer is IP68 rated in freshwater environment at a depth of up to 4 meters.



NOTES: UNLESS OTHERWISE SPECIFIED.

DO NOT SCALE DRAWING. ALL DIMENSIONS ARE IN MILLIMETERS.



1031 Goodworth Drive, Apex, NC 27539, USA
 Tel: +1.919.772.0115 Email: info@ati-ia.com
 Fax: +1.919.772.8259 www.ati-ia.com
 ISO 9001 Registered Company

PROPERTY OF ATI INDUSTRIAL AUTOMATION, INC. NOT TO BE REPRODUCED IN ANY MANNER EXCEPT ON ORDER OR WITH PRIOR WRITTEN AUTHORIZATION OF ATI.

DRAWN BY: J. Walser 9/29/2011		TITLE	
CHECKED BY: R. Chambers 9/30/11		IP68 Gamma Transducer	
PROJECT # 101214-3	SHEET 1 OF 1	SCALE 1:1	REVISION 02
		SIZE B	DRAWING NUMBER 9230-05-1386

