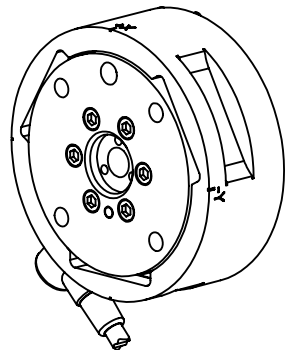
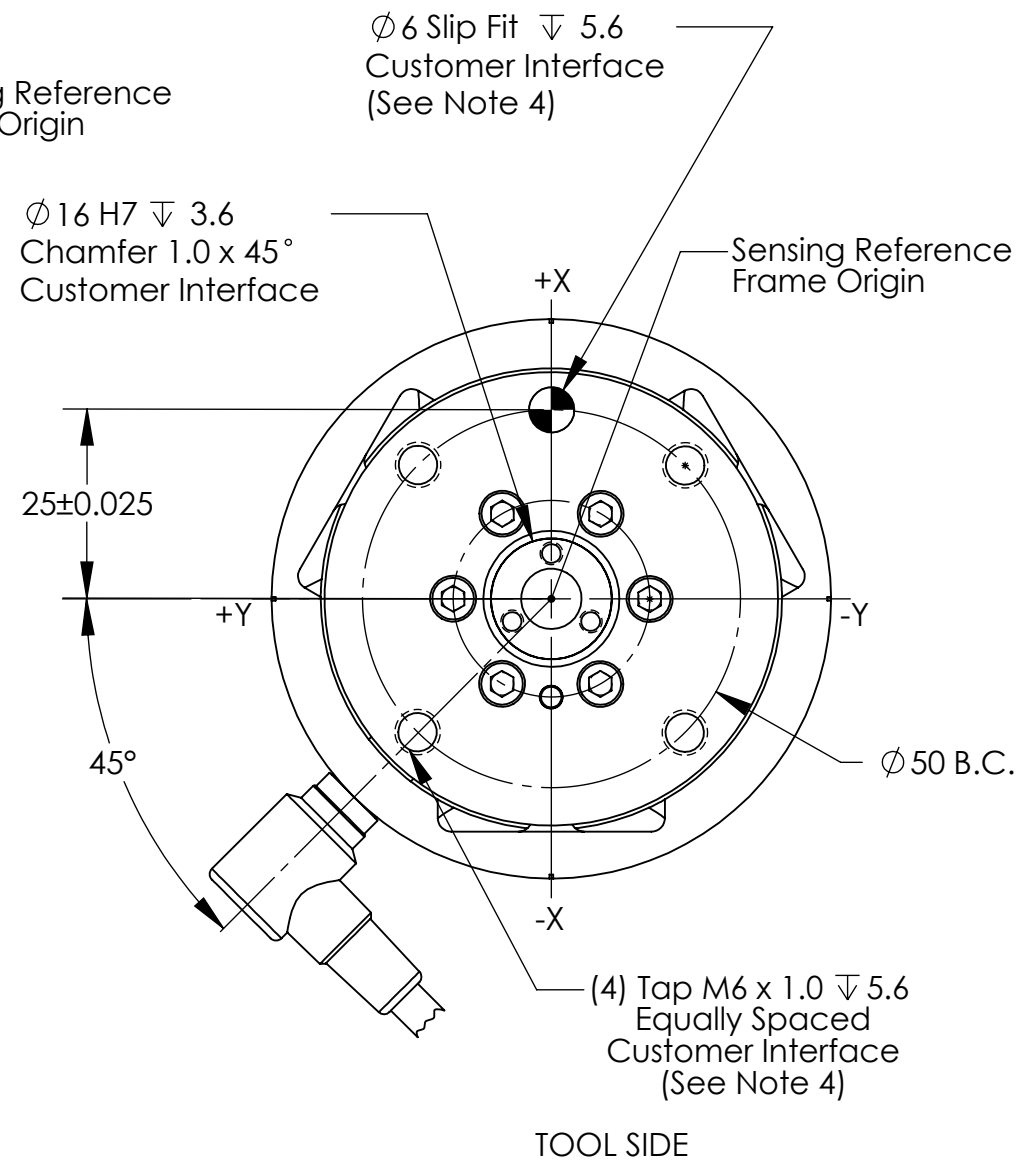
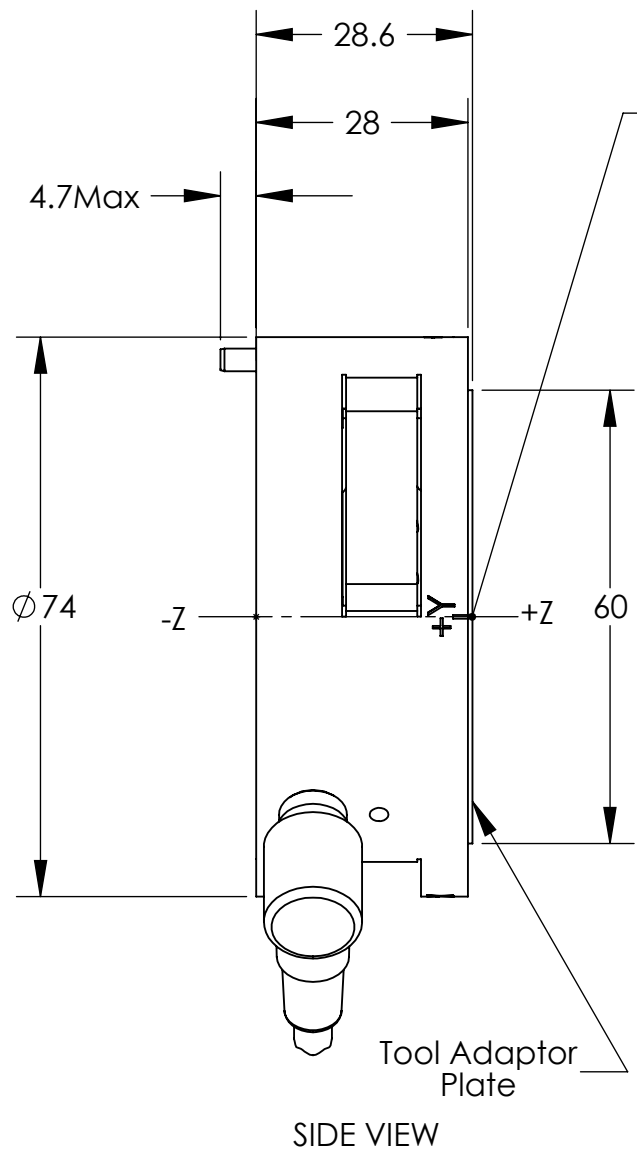
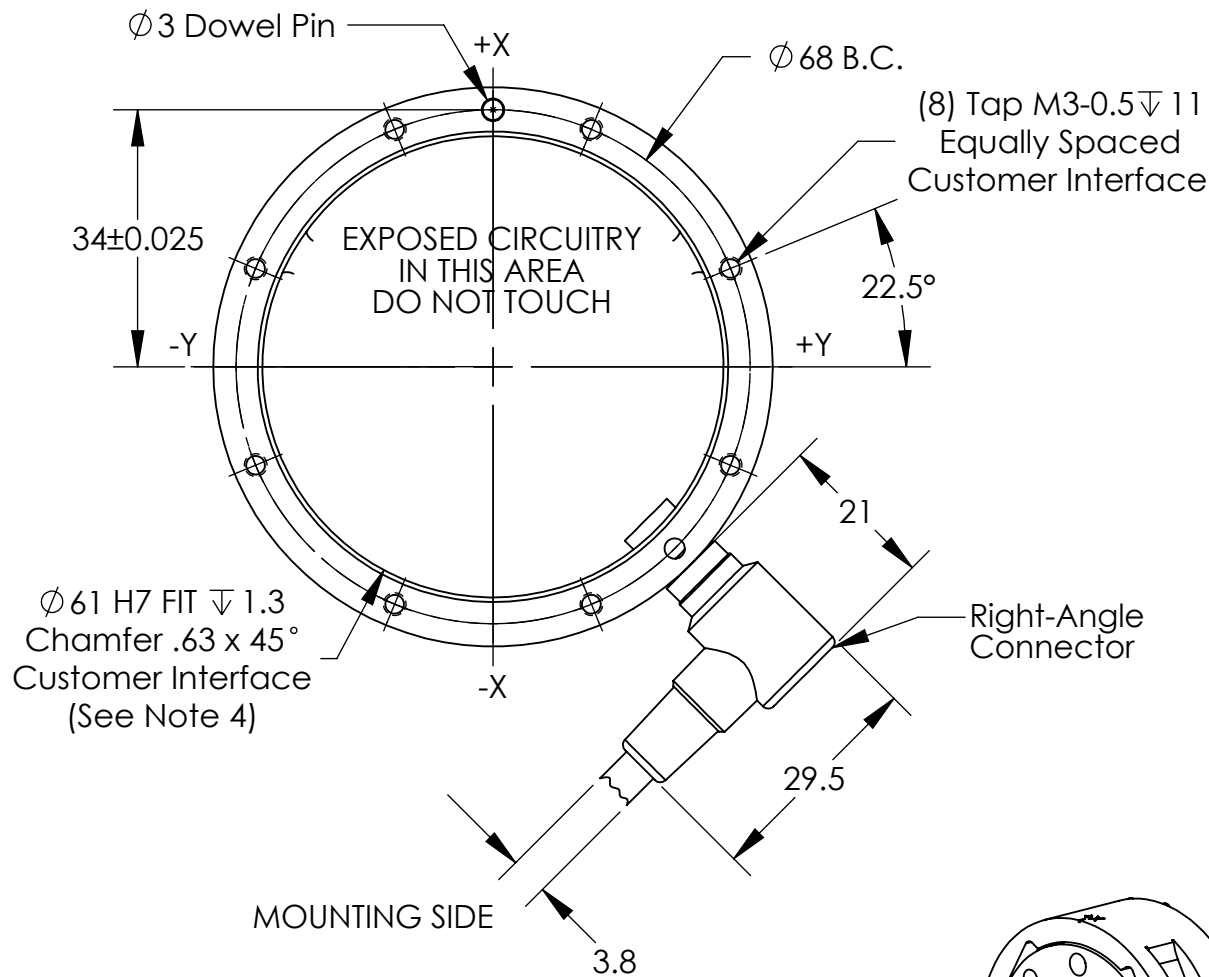


Rev.	Description	Initiator	Date
07	Eco 7540; Shown w/o MAP	CCS	1/29/2010



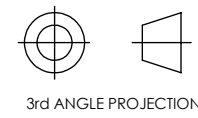
- NOTES:
1. Material: Aluminum.
 2. DO NOT TOUCH INTERNAL ELECTRONICS OR INSTRUMENTATION THIS COULD DAMAGE THE TRANSDUCER AND WILL VOID THE WARRANTY.
 3. Tool Side RING-PLUG Option Moves Origin. See 9230-05-1059 for Position.
 4. **DO NOT EXCEED INTERFACE DEPTH, MAY CAUSE DAMAGE**
 5. Transducer must be mounted to surfaces rigid enough to support loads without deflection for best accuracy.

NOTES: UNLESS OTHERWISE SPECIFIED
DO NOT SCALE DRAWING. DRAWN IN SOLIDWORKS.
ALL DIMENSIONS ARE IN MILLIMETERS.



1031 Goodworth Drive, Apex, NC 27539, USA
Tel: +1.919.772.0115 Email: info@ati-ia.com
Fax: +1.919.772.8259 www.ati-ia.com
ISO 9001 Registered Company

PROPERTY OF ATI INDUSTRIAL AUTOMATION, INC. NOT TO BE REPRODUCED IN ANY MANNER EXCEPT ON ORDER OR WITH PRIOR WRITTEN AUTHORIZATION OF ATI.



DRAWN BY: B. Digeso 3/3/00		TITLE		
CHECKED BY: D. Norton 7/15/05		Gamma Transducer without Mounting Adapter		
WEIGHT LBS:	SCALE 1:1	SIZE B	DRAWING NUMBER 9230-05-1103	REVISION 07
ASSEMBLY REF:	PRODUCT RELEASE # -	DATE:	SHEET 1 OF 1	